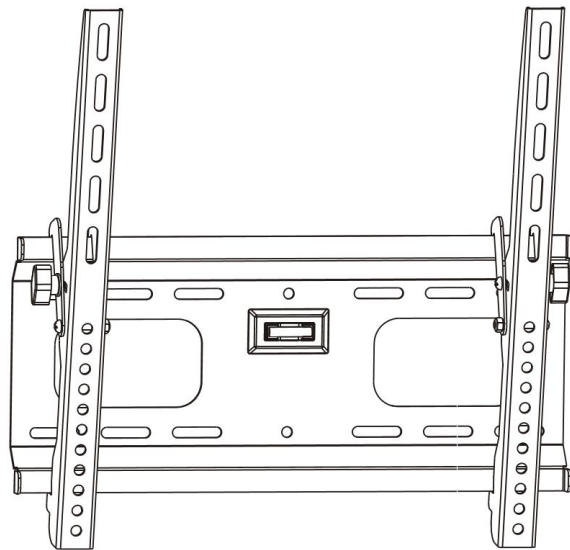


# Mvix | Display Mounting Guide

## Contents

1. [Tilting Wall Mount](#)
2. [Ceiling Installation](#)
3. [Full Motion Wall Mount](#)

## Tilting Wall Mount

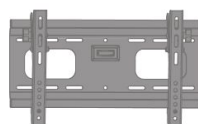


For 32" - 65" displays: Landscape or Portrait.

**NOTE:** Please read the instruction manual before you start installation and assembly.



**CAUTION:** DO NOT EXCEED RATED LISTED WEIGHT. SERIOUS INJURY OR PROPERTY DAMAGE MAY OCCUR!



200x200/400x200  
400x400





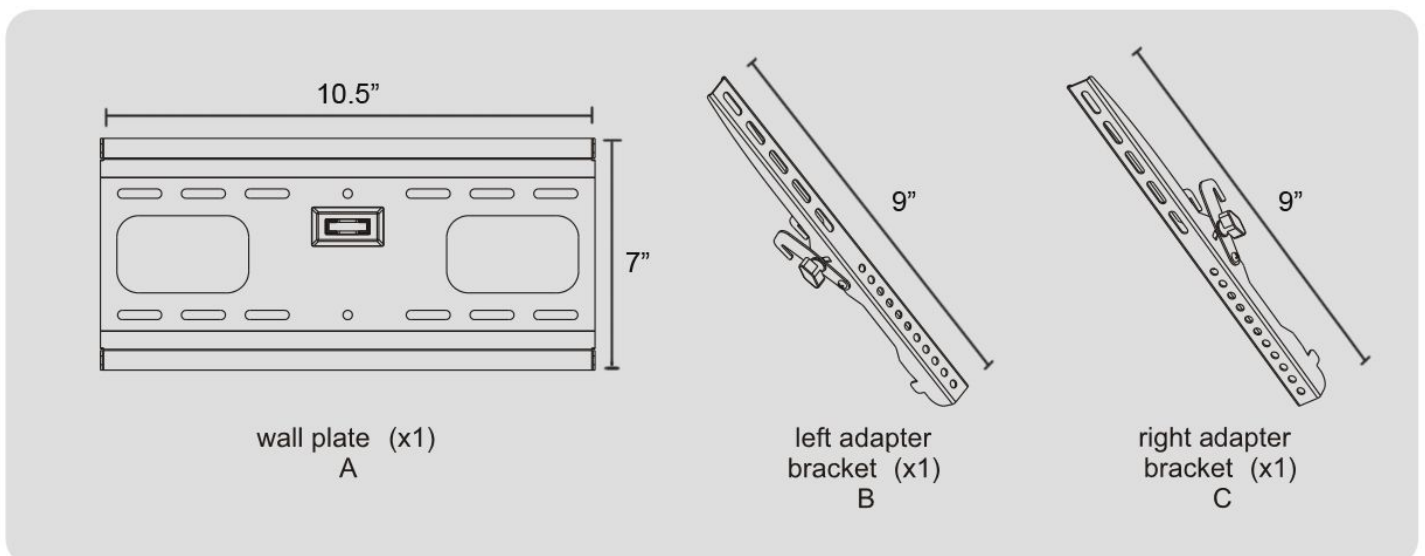
## WARNING!

- Do not begin the installation until you have read and understood all the instructions and warnings contained in this installation document. If you have any questions regarding any of these instructions or warnings, please contact Mvix Technical Support.
- This mounting bracket was designed to be installed and used ONLY as specified in this manual. Improper installation of this product may cause damage or serious injury.
- This product should only be installed by someone who has good mechanical sense, basic building/construction experience, and who fully understands this manual.
- Make sure that the supporting surface will safely support the combined weight of the equipment and all attached hardware and components.
- If mounting to a wooden joist, make sure that the mounting screws are anchored into the center of the studs. The use of a stud finder is highly recommended.
- Always use an assistant or mechanical lifting equipment to safely lift and position equipment.
- Tighten screws firmly, but do not over tighten. Overtightening can cause damage to the screws or screw holes, greatly reducing their ability to hold the load.
- This product is intended for indoor use only. Using this product outdoors could lead to product failure and personal injury.

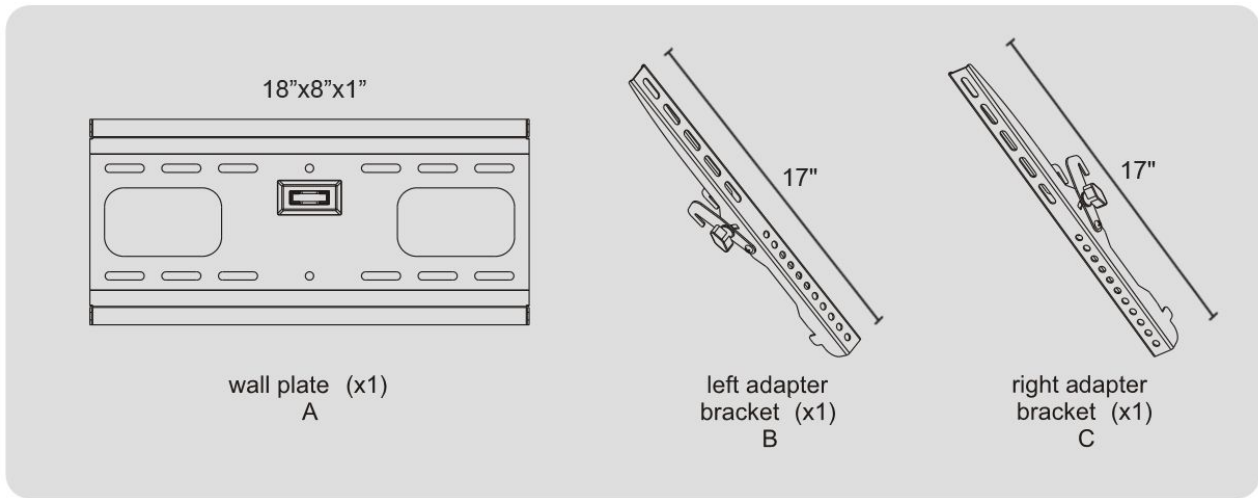
## Component Checklist

**Important:** Please inventory the package contents to ensure you have all the proper parts, as listed below. If anything is missing or damaged, please contact Mvix Customer Service for a replacement.

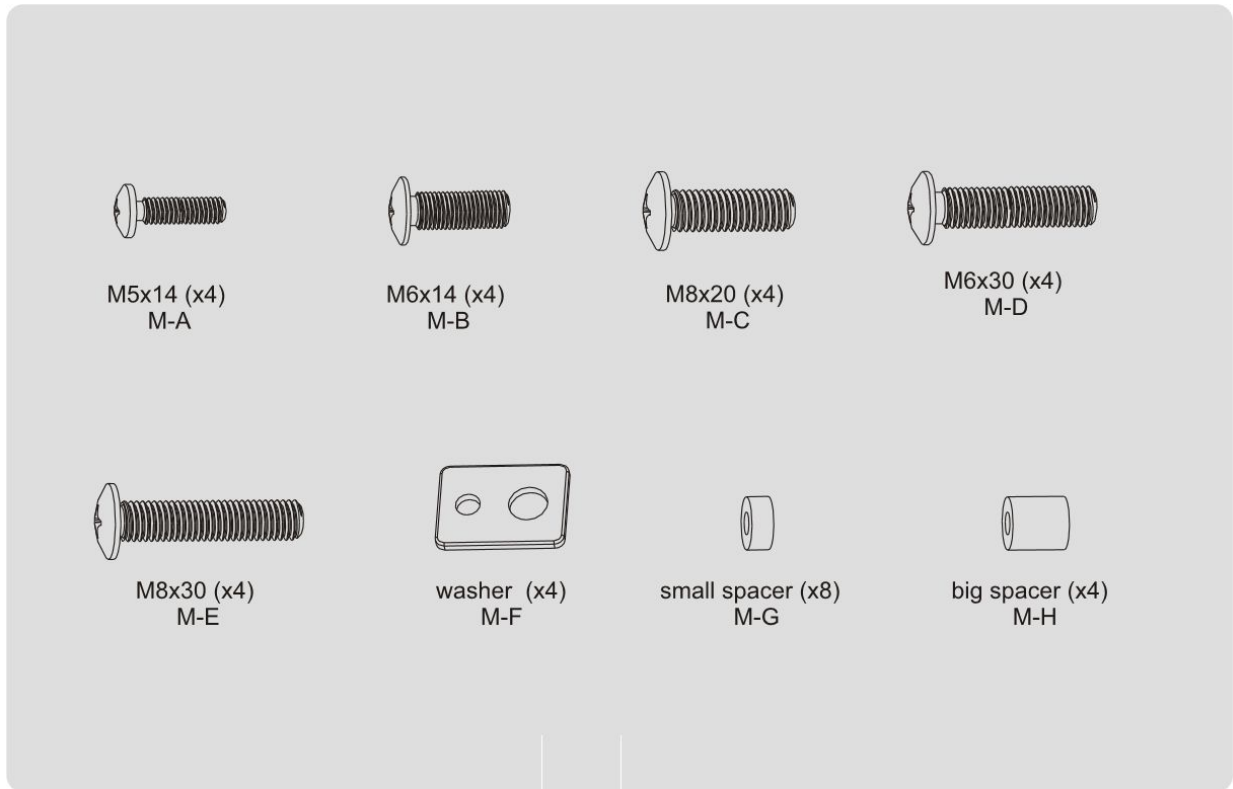
For 32" displays:



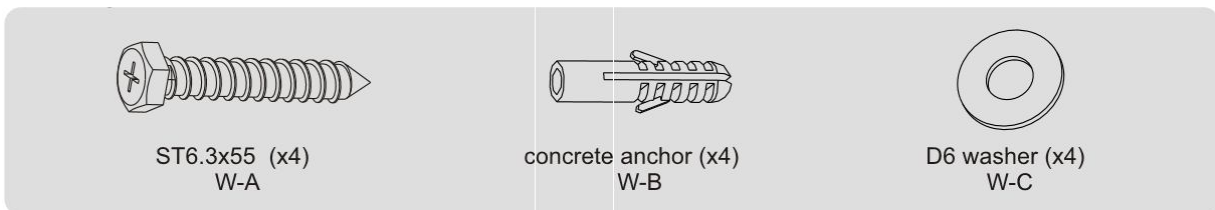
For other displays:



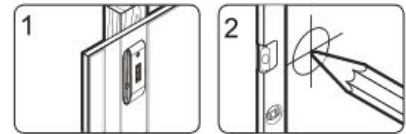
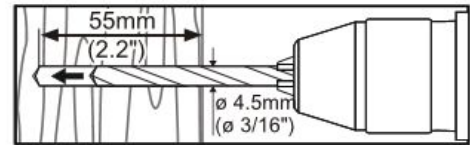
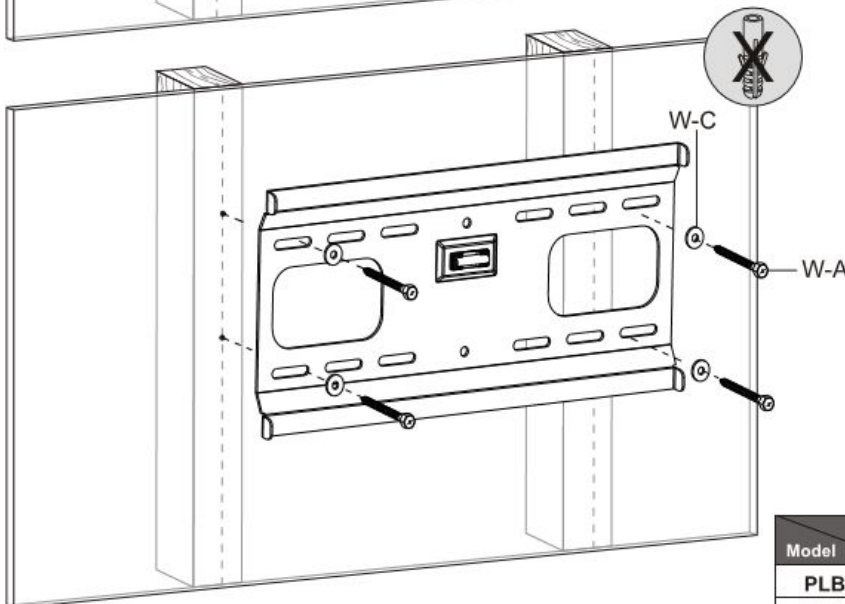
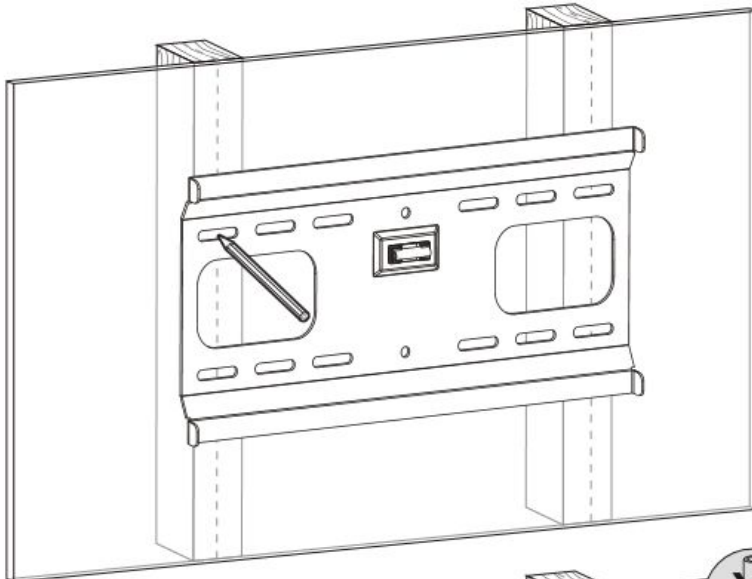
### Package M



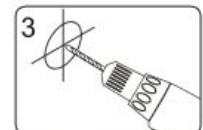
### Package W



## 1a. For Wood Stud Wall Mounting



Find and mark the exact location of mounting holes



Drill pilot holes



Screw the wall plate onto the wall

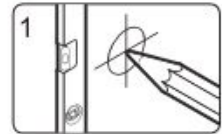
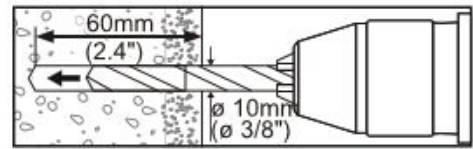
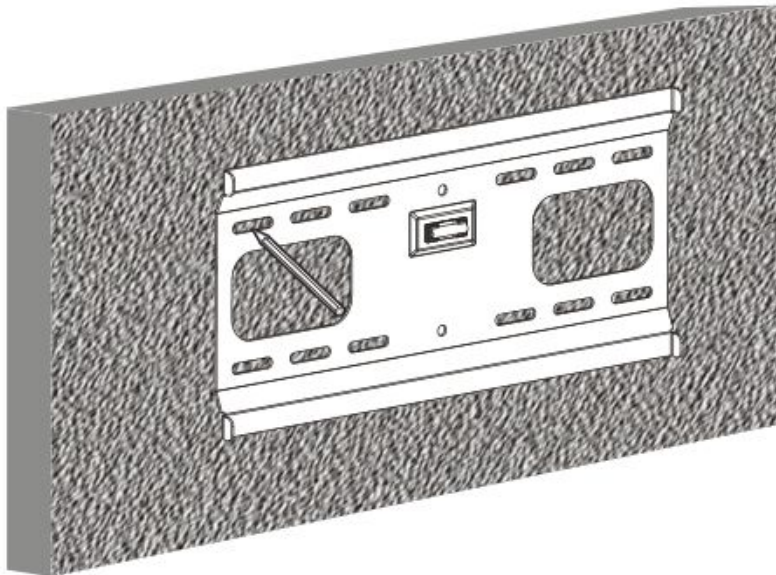
Model	Stud	406mm (16")	450mm (17.7")	600mm (23.6")	610mm (24")
PLB-42		✓	X	X	X
PLB-42L		✓	X	X	X



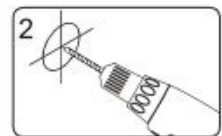
### WARNING!

- Make sure that the mounting screws are anchored into the center of the studs. The use of a stud finder is highly recommended.
- Installers are responsible for providing for any hardware needed for other types of mounting situations.
- Installers must verify that the supporting surface will safely support the combined weight of the equipment and all attached hardware and components.

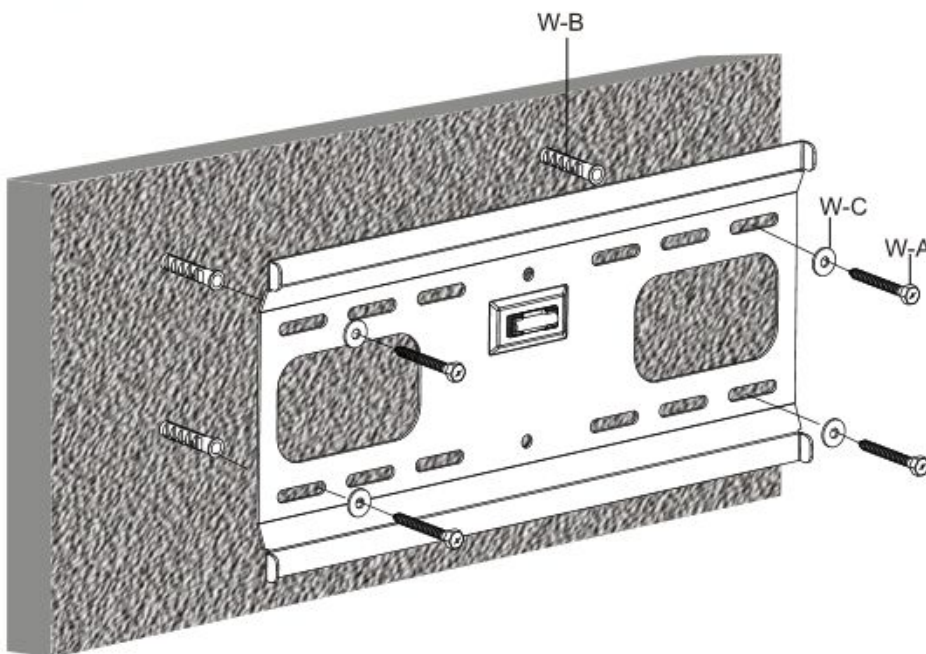
## 1b. Solid Brick and Concrete Mounting



1  
Mark the exact location of mounting holes



2  
Drill pilot holes



Screw the wall plate onto the wall



### WARNING!

- Installers must verify that the supporting surface will safely support the combined weight of the equipment and all attached hardware and components.

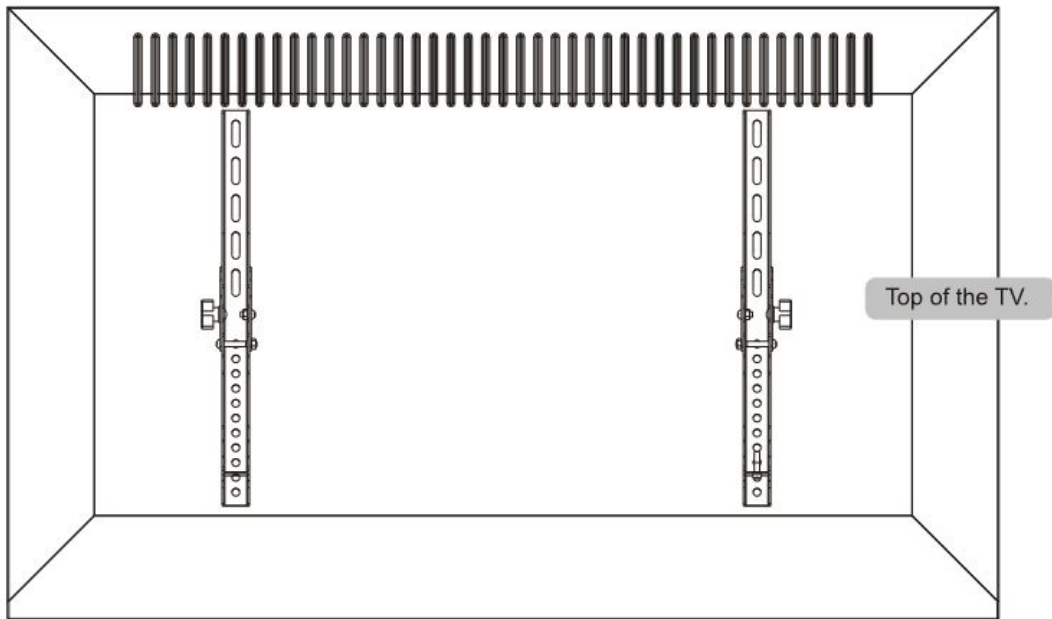


866.310.4923

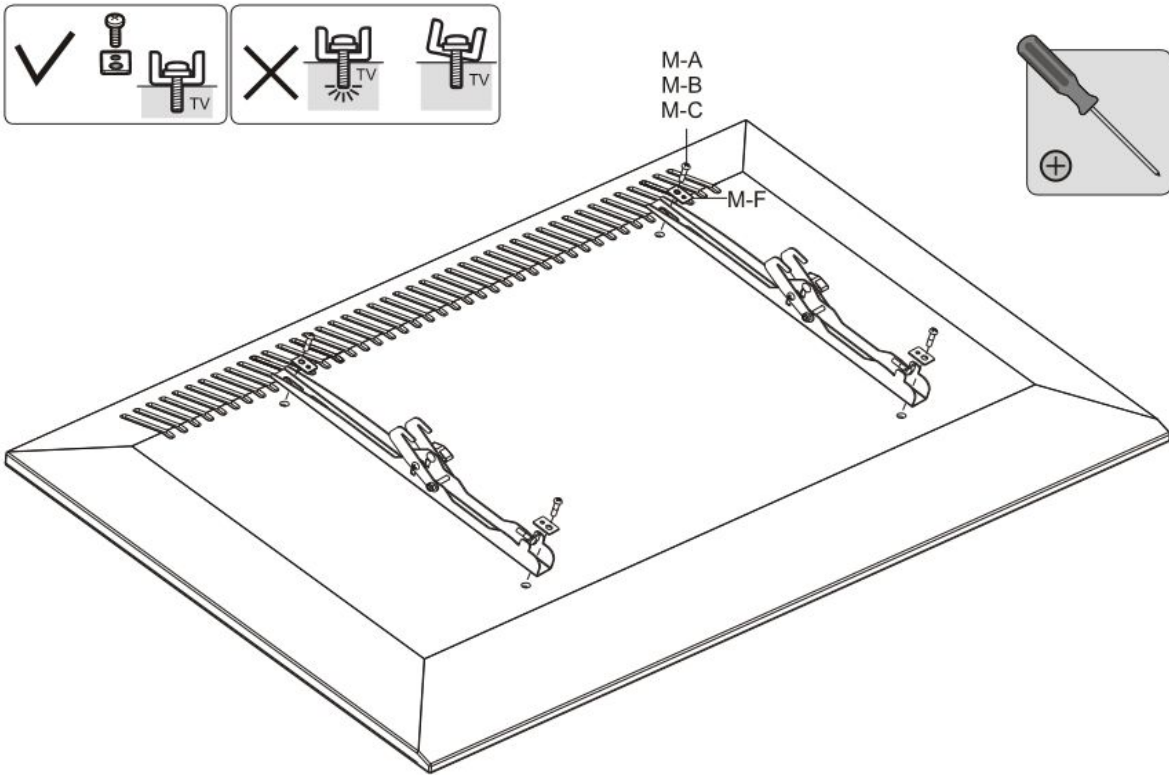
www.mvixusa.com



## 2. Installing the Adapter Brackets

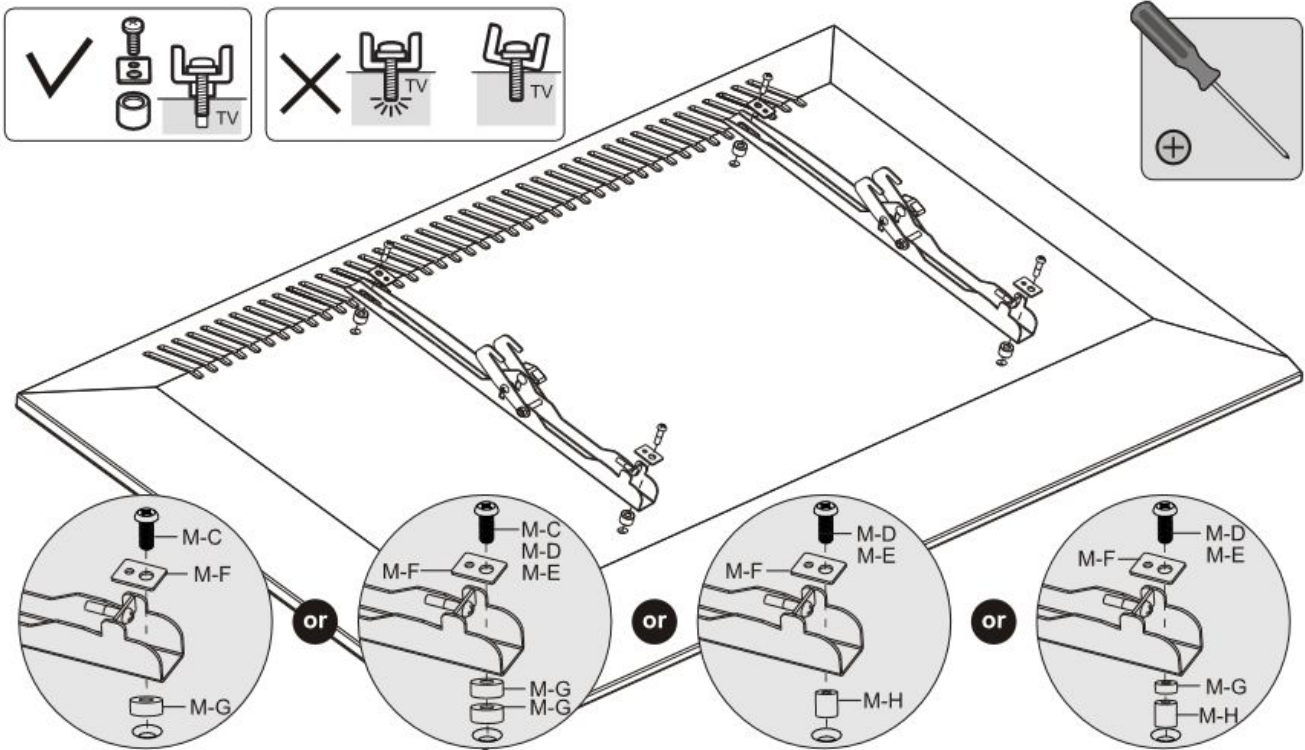


### 2-1 For Flat Back Screens



\*Tighten Screws but do not overtighten.

## 2-2 For Recessed Back Back Screens or to Access A/V Inputs

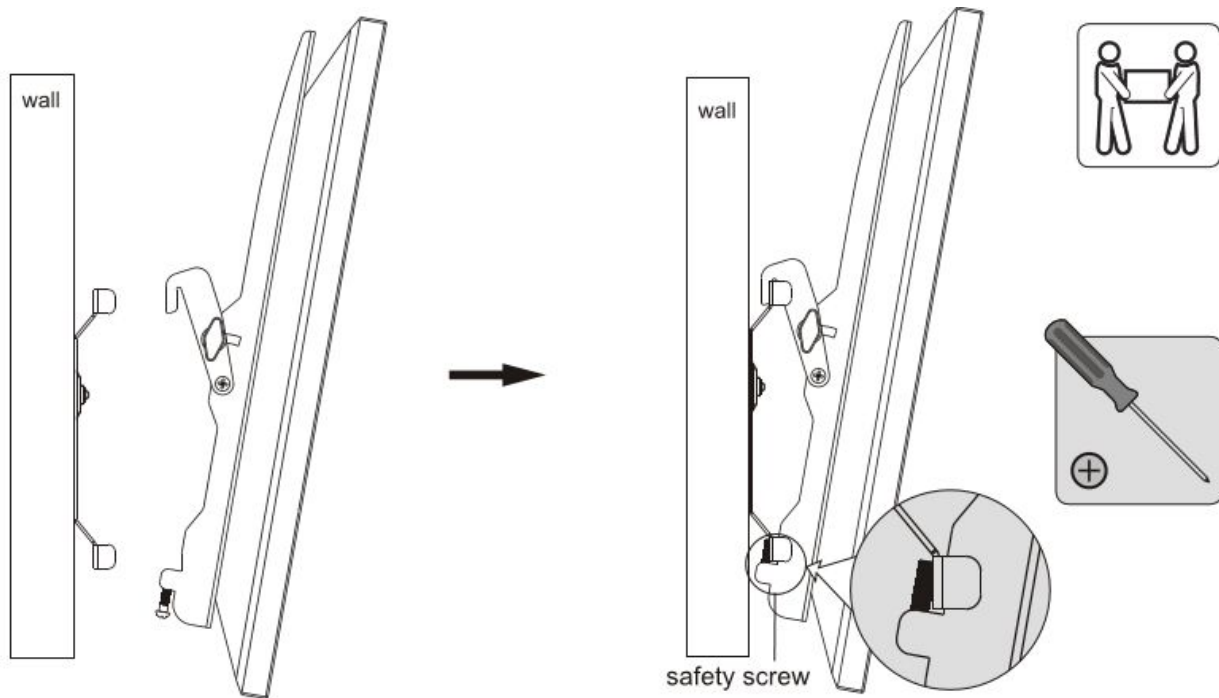


\*Tighten Screws but do not overtighten.

**NOTE:** Choose the appropriate screws, washers and spacers (if necessary) according to the type of screen.

- Position the adapter brackets as close as possible to the center of the TV.
- Screw the adapter brackets onto the TV.

### 3. Hanging the TV onto the Wall Plate

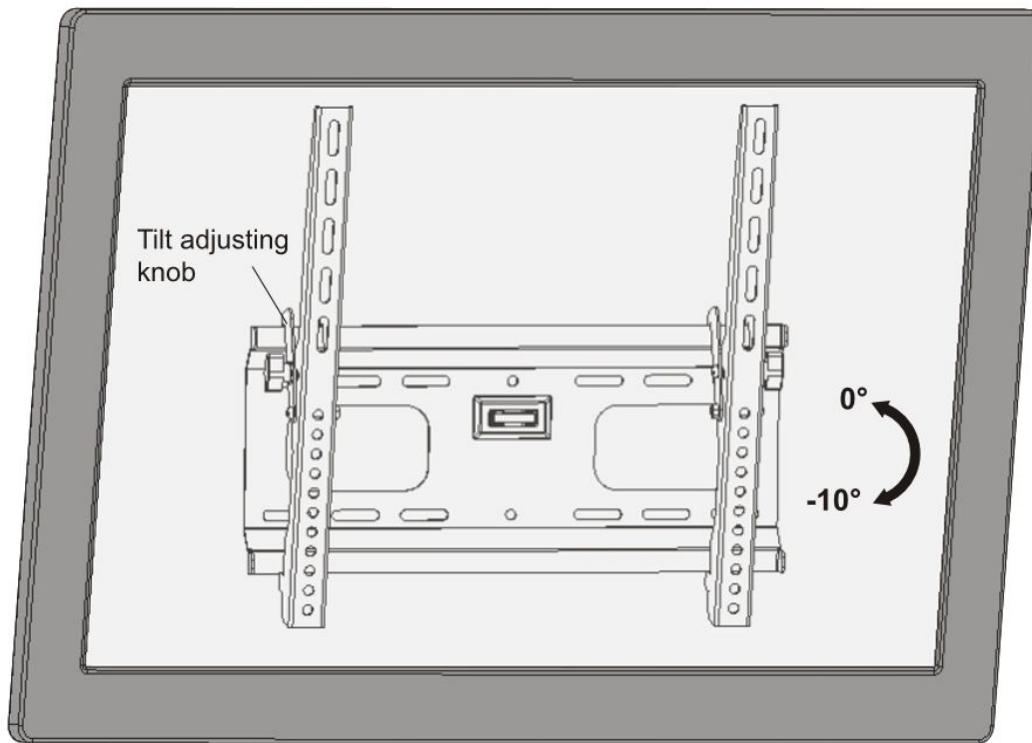


Hook the TV over the top of the wall plate. Tighten safety screws on the display brackets with a proper screwdriver.

**Important:** Make sure the TV is correctly hooked and the safety locking screws are locked safely before releasing the TV.



### 3. Adjustment



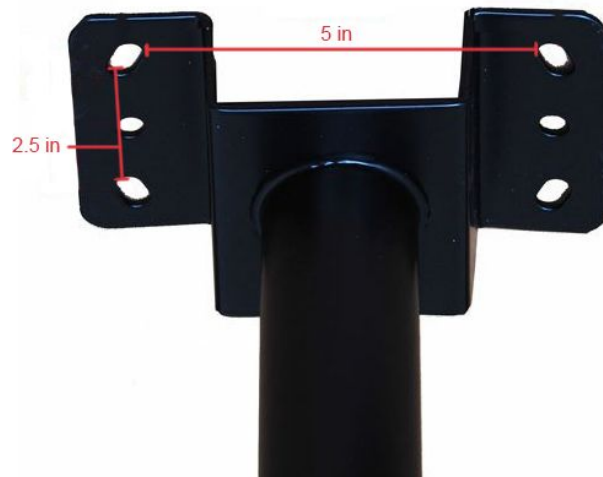
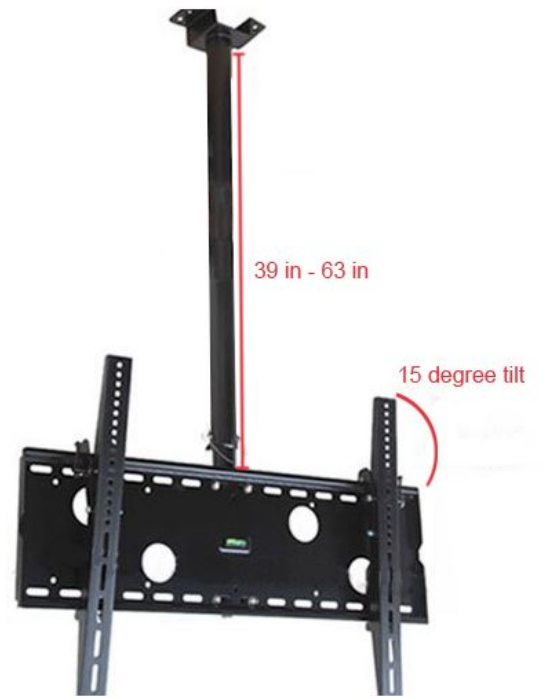
Use the tilt adjusting knob to adjust your TV to the desired angle.

#### Maintenance

- Check the the bracket is secure and safe to use at regular intervals (at least every three months)
- If you have any questions, please contact Mvix Technical Support for assistance.

# Ceiling Installation

## Dimensions and Features





## WARNING!

- Installer must verify that the ceiling will safely support the combined weight of all attached equipment and hardware.

Use a qualified professional to properly install. Mvix is not liable for the improper use of installation of its products. Common hardware provided. Installers are responsible to provide additional hardwares. The TV must not exceed 132 lbs, which is the maximum weight capacity of the bracket.

## Wood Joists or Wood Beam Ceiling Installation

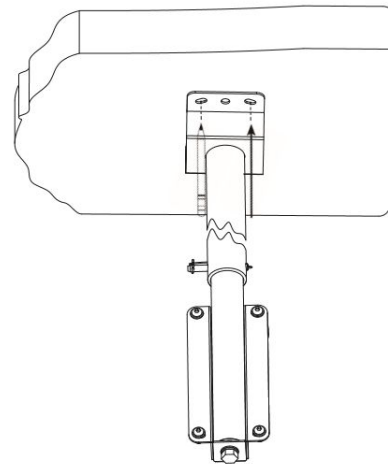
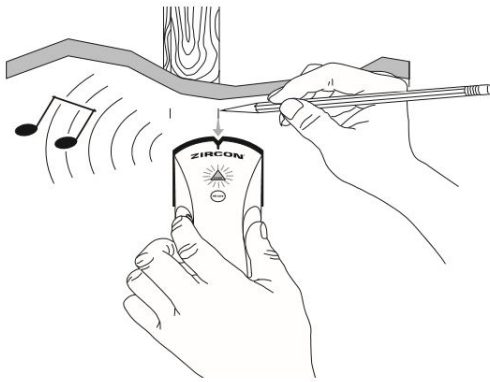
### 1. Locate the Wood joists

Using a “edge to edge” stud finder (commercially available), make marks at the edges of the joists. then mark the centerline of the joists

### 2. Drill Pilot Holes

2-1. Hold the ceiling hanger so the holes line up with the stud center lines.

2-2. Drill pilot hole, this is a hole slightly smaller in diameter than the diameter of the big screws at each mark.



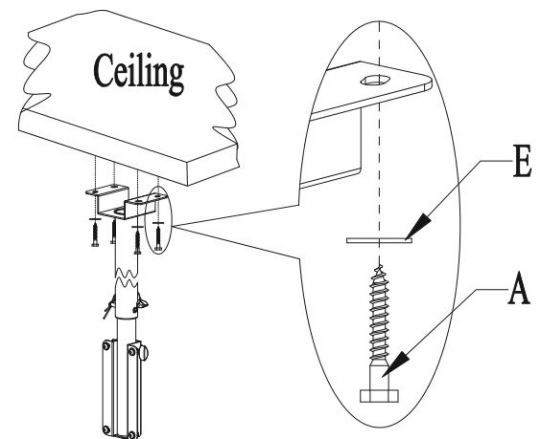
## Concrete Ceiling Installation

### 1. Drill Mounting Holes

1-1. Hold the ceiling hanger against the ceiling where you want to mount the screen.

1-2. Mark off holes to be used for securing the ceiling hanger and place the ceiling hanger aside.

1-3. Using a masonry bit, drill holes at the spots marked in the previous step.



## 2. Install Anchors

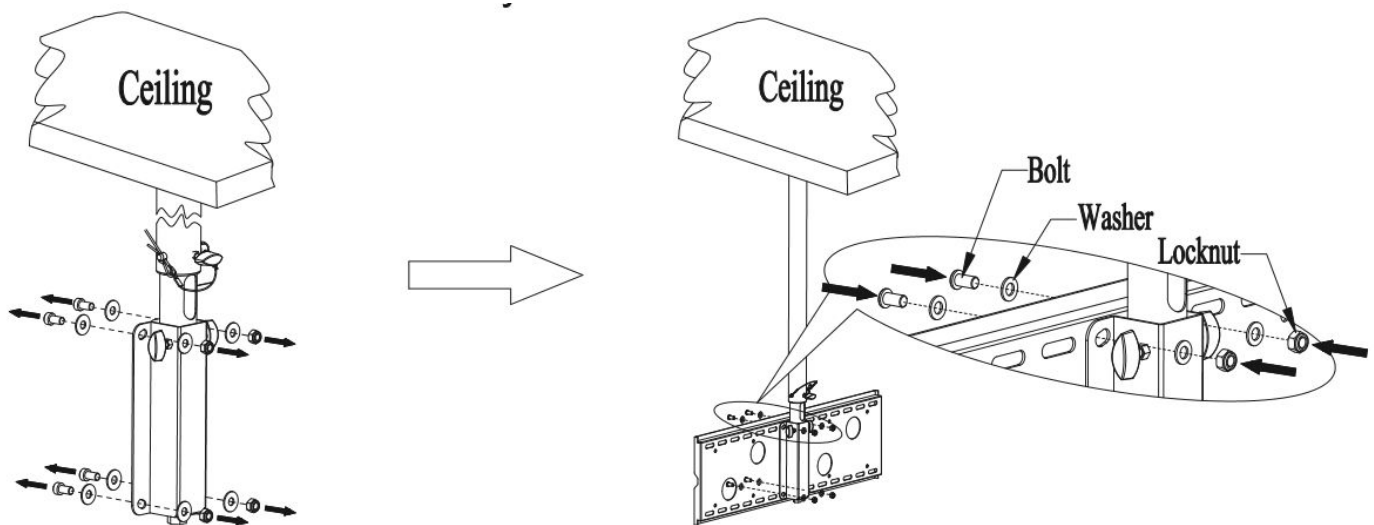
Find the plastic concrete anchors (do not use it in wood joists ceiling). Place an anchor in each hole. Tap each anchor flush with the ceiling using a hammer.

## 3. Mount Ceiling Hanger

Using the provided bolts and washers, tighten each bolt with an open ended socket wrench. Do not use power drill and do not over tighten the bolts.

## 4. Assemble Ceiling Hanger and Mounting Plate

Adjust the length of the inner tube to a suitable position, and then insert a safety pin and screw down the knob. Next, loosen the bolts, washers and locknuts to separate them. Using the bolts to get through the washer, mounting plate, fixed frame, bolts, washers, and locknut in turn to fix the mounting plate with the fixed frame firmly.

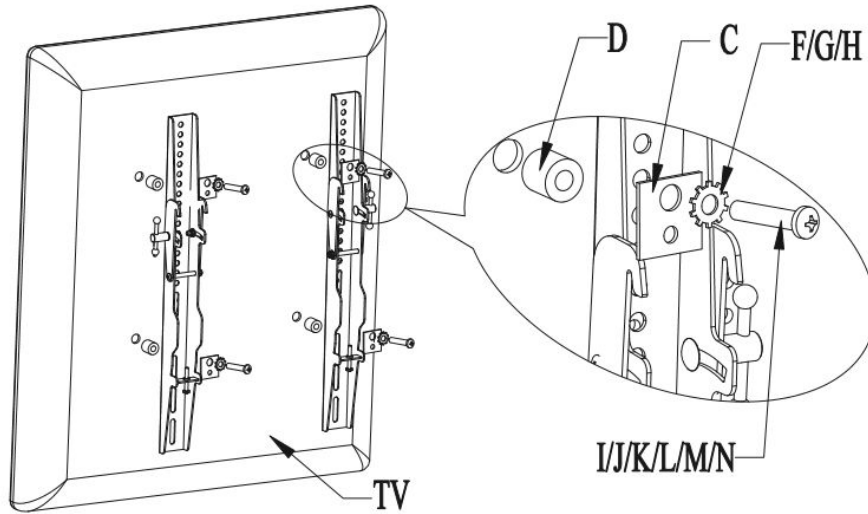


## 5. Attach Vertical Brackets to the Back of the TV

5-1. There are four mounting holes in the back of the TV, sometimes covered by plastic cap or screws. Use a screwdriver to remove the caps or screws to expose the mounting holes. Check the TV manual if you cannot find them.

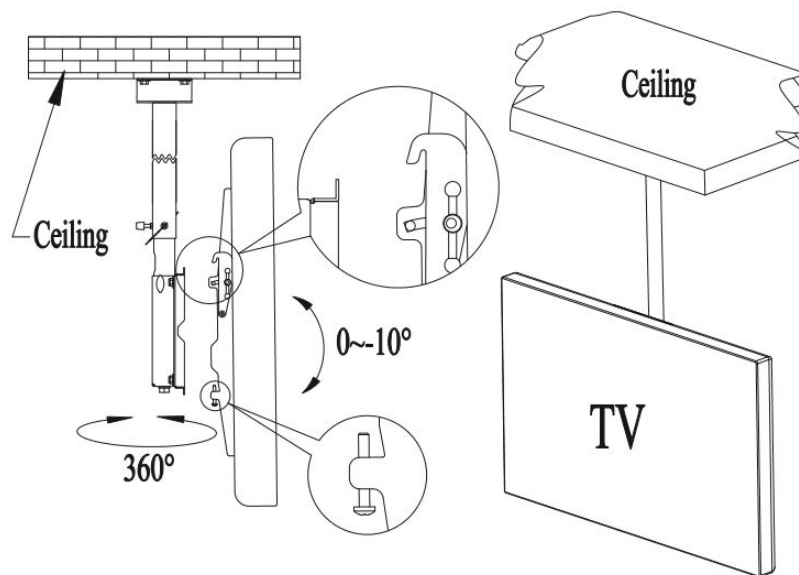
5-2. Line up the two vertical brackets as shown. Attach each vertical bracket using screws, lock washers and then washers as shown. Use screws that fit securely into your screen at least 3 full turns.

5-3. If the back of your screen does not lie flush with the screen arms, place washers between the arms and screen back to fill the gap.

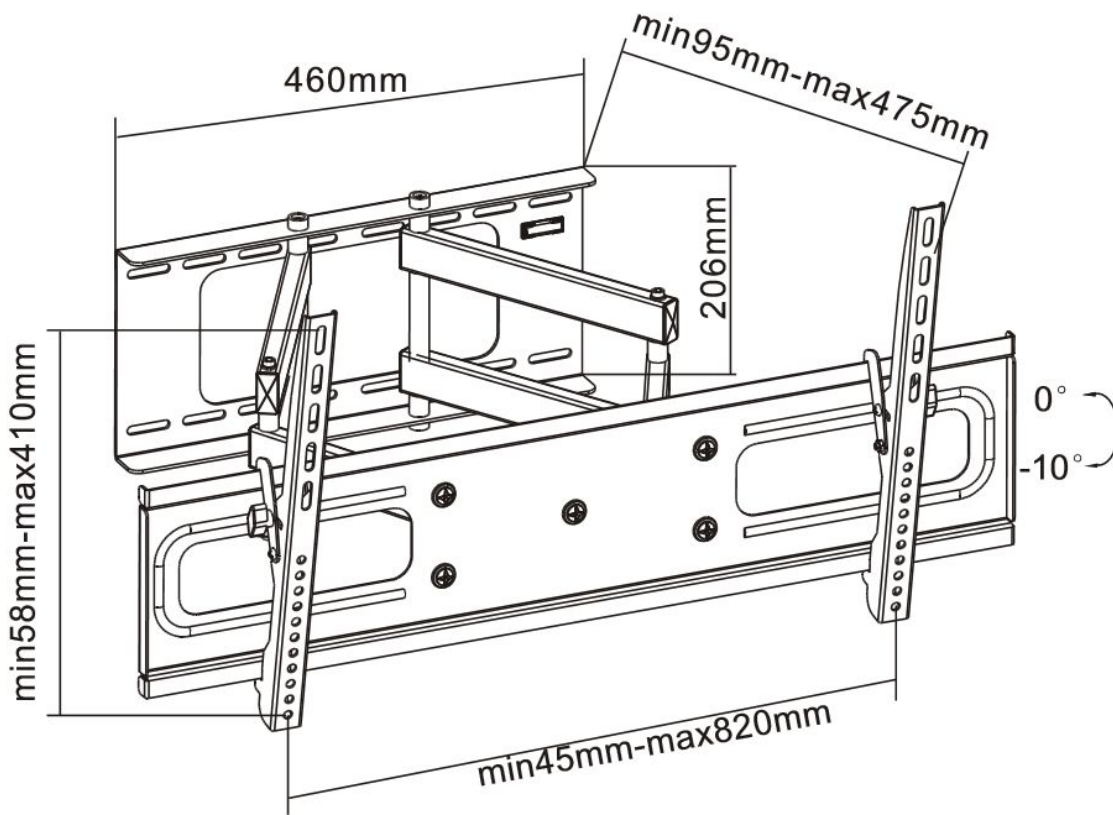


## 6. Hang the Screen on the Mounting Plate

- 6-1. Two people, pick up the screen and hang the screen on the top and bottom edge of the mounting plate.
- 6-2. Slowly lower the screen so that it hangs on the Mounting Plate.
- 6-3. Move the screen slightly left or right so it is in the proper position on the mounting plate.
- 6-4. Tighten the security bolts. This will prevent the screen from moving up on the mounting plate.
- 6-5. Verify that you cannot pull the bottom edge of the screen away from the wall.

















# Full Motion Wall Mount



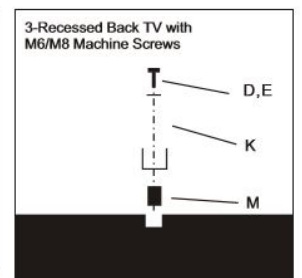
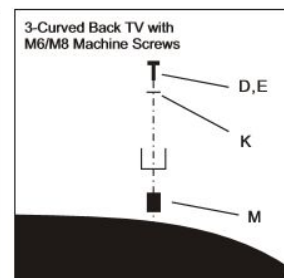
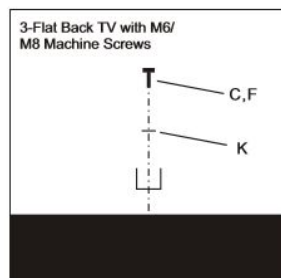
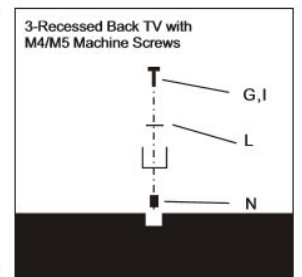
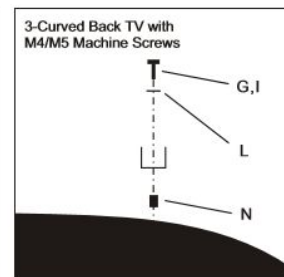
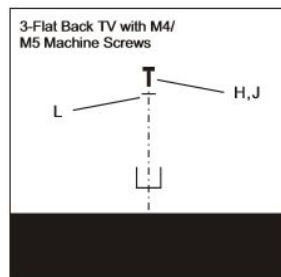
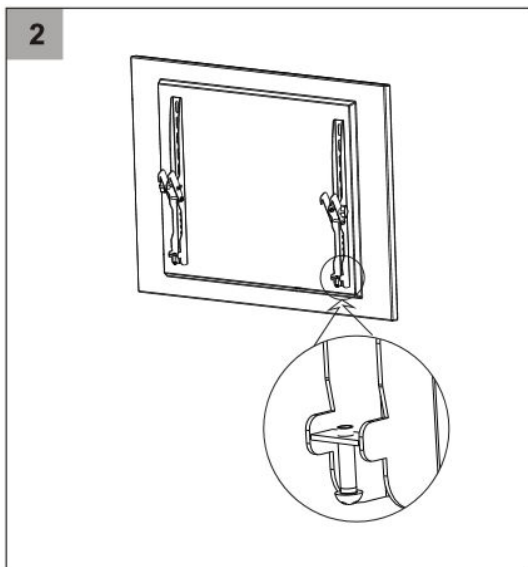
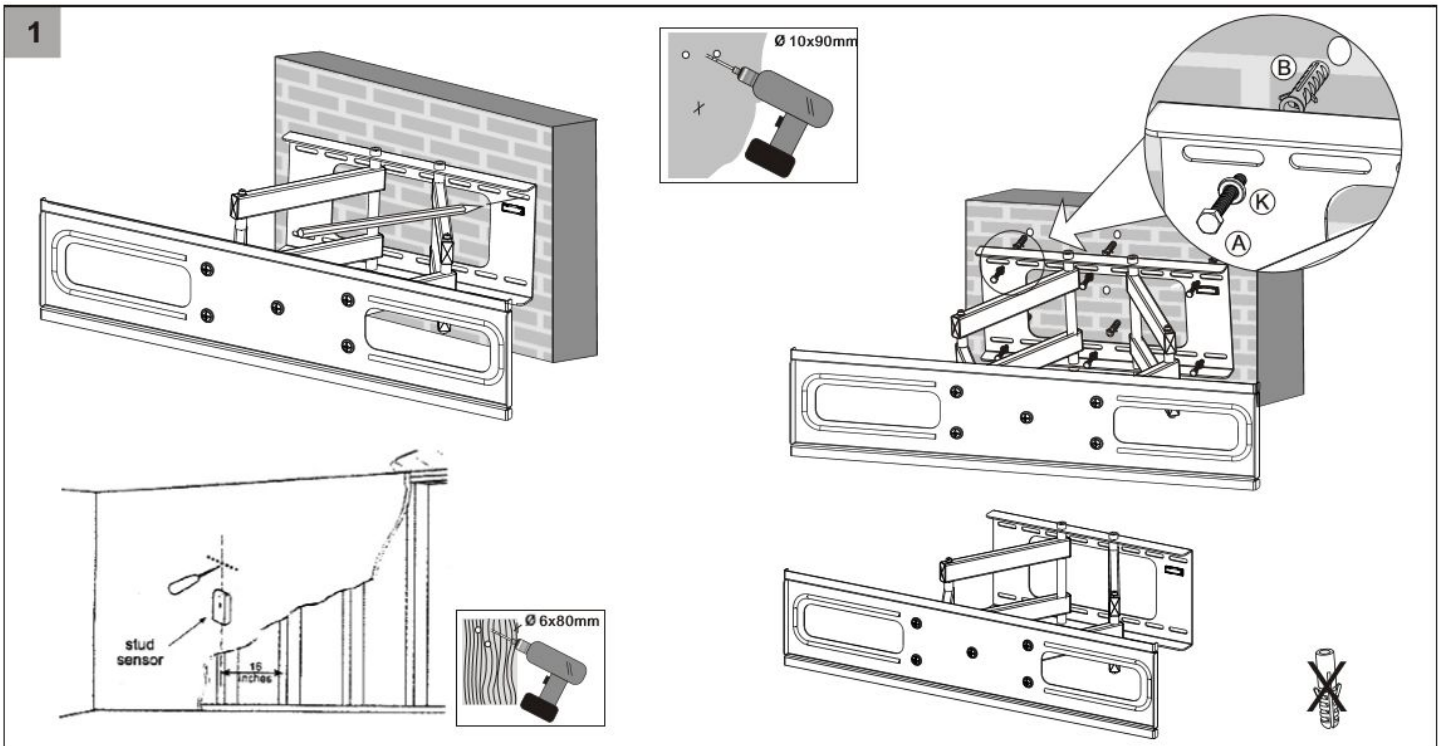
## Components

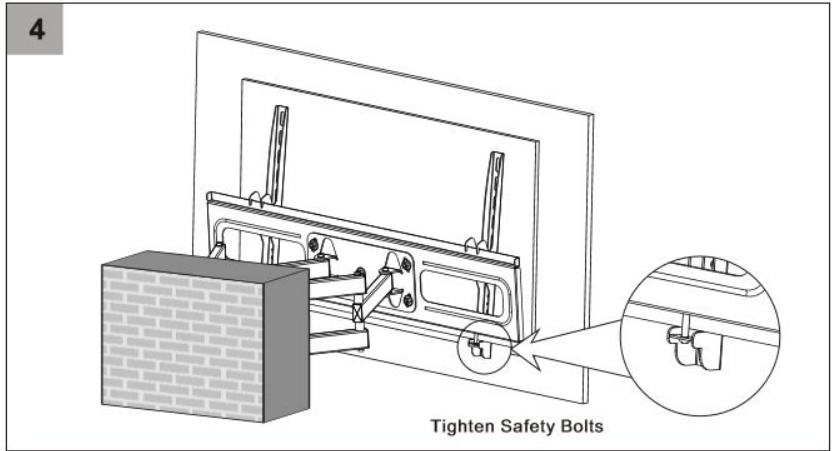
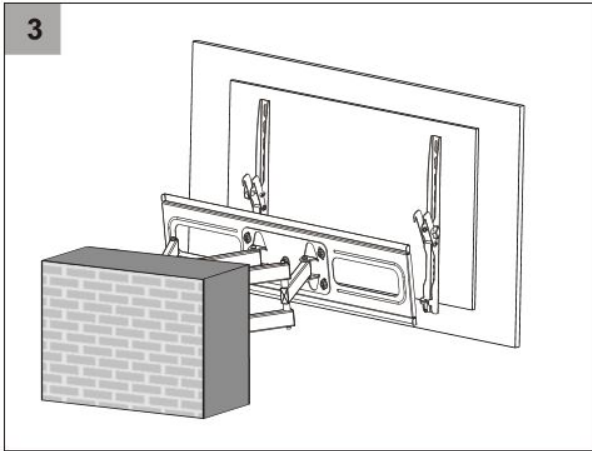
 **VESA200x200/200x400/400x400/400x800mm**

 **60kg/132lbs**

<b>A</b>		x6	<b>C</b>		x4	<b>E</b>		x4	<b>G</b>		x4	<b>I</b>		x4	<b>K</b>		x6	<b>M</b>		x4		x2
<b>B</b>		x6	<b>D</b>		x4	<b>F</b>		x4	<b>H</b>		x4	<b>J</b>		x4	<b>L</b>		x4	<b>N</b>		x4		







These instructions are for illustration purposes only. Mvix disclaims all liability for any special, direct, incidental or consequential damages, or any damages whatsoever, without limitation, the loss of life or limb, or damages due to bodily or personal injury, which may arise or result from the installation, or use of any of its products and parts. It is the user's responsibility to inspect and verify the dimensions, specifications, and performance of all products and parts as being appropriate for the use to which the user will put them prior to any actual installation and/or use of products and parts.